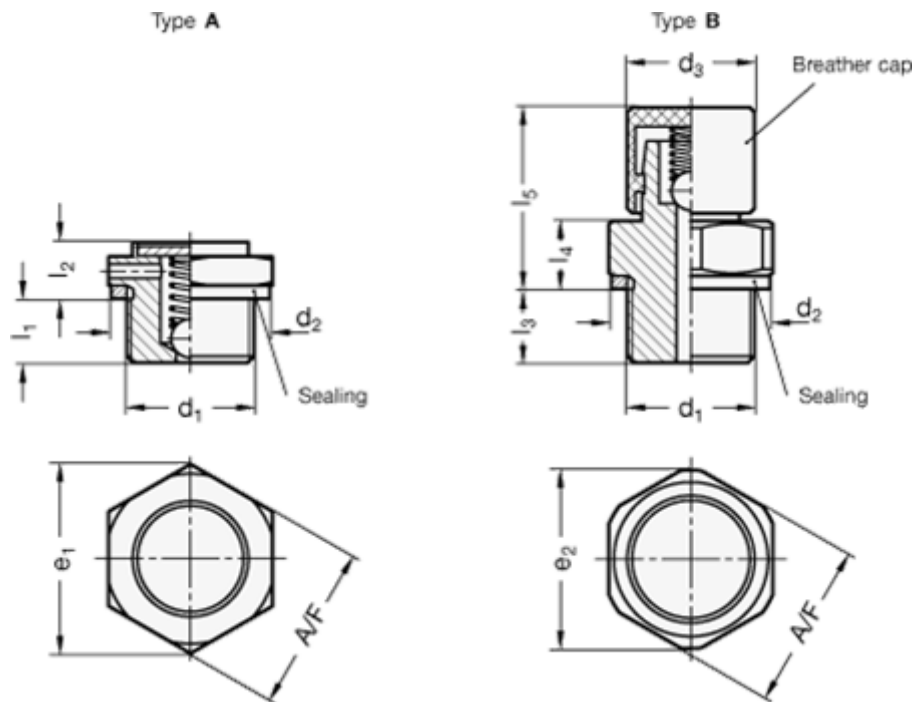


# Data Sheet



Article number: 20883M141520AMS  
 Description: E+G Udluftningsfilter - M14x1.5

## Measures



	= -	l2	= 6
	= -	l3	= 7.5
A/F	= 17	l4	= 7.5
Air passage l/min.	= -	l5	= 19
d2	= 20	Opening pressure in mbar = Min. 20 - Max 80. mbar	
d3	= 13	Thread d1 = M14x1.5	
e	= 18.5		
l1	= 6.5		